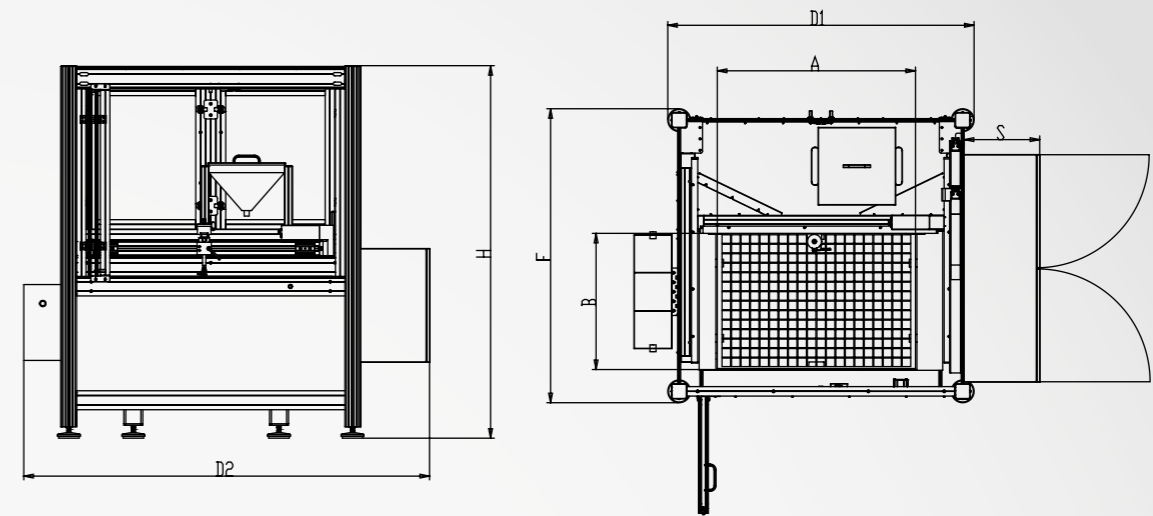


The waterjet range with detailed dimensions



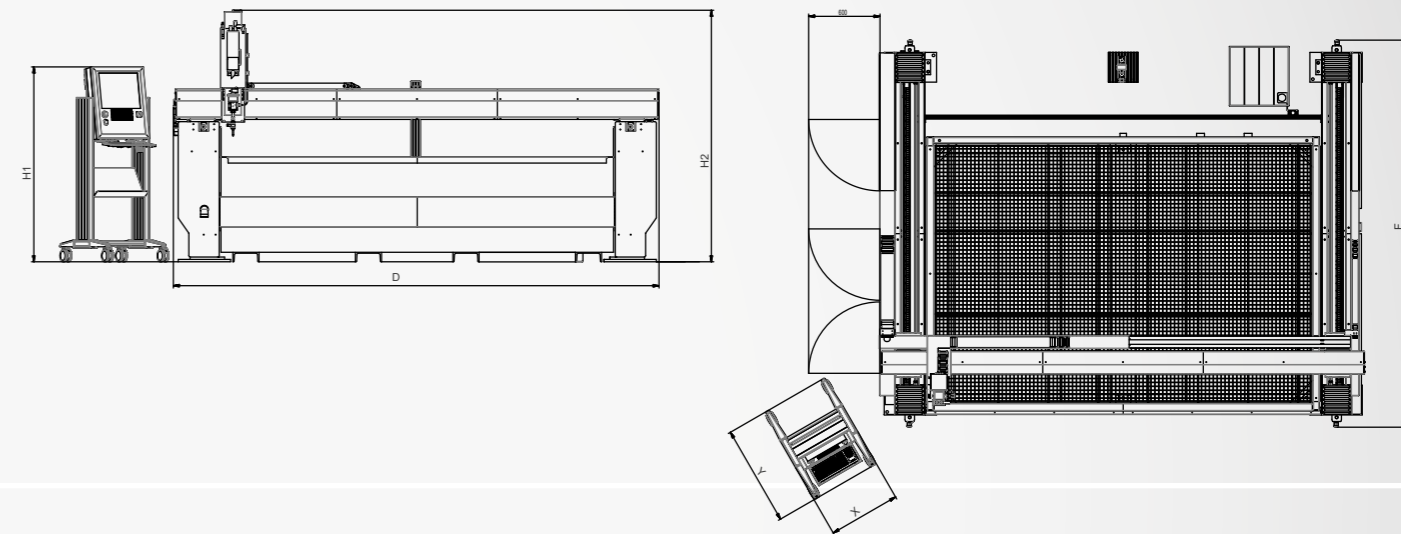
eco

Dimensions in mm	eco
Width A	1045
Depth B	718
Width D1	1615
Width D2	2150
Depth F	1550
Height H	1964
Width S	400



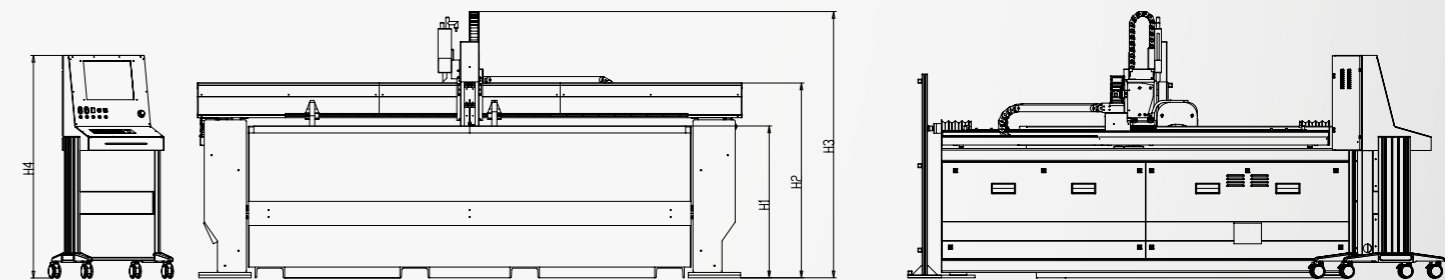
basic

Dimensions in mm	basic 1010	basic 2010	basic 3020
Width D	2100	3100	4100
Depth F	2260	2260	3260
Height H1	1650	1650	1650
Height H2	2200	2200	2200
Width X	705	705	705
Depth Y	850	850	850



PLATINUM

Dimensions in mm	PLATINUM 3020	PLATINUM 4020	PLATINUM 3060
Width A	3200	4200	3200
Width D	3950	4950	3950
Depth B	2200	2200	6300
Depth F	2900	2900	7900
Height H1	900	900	900
Height H2	1300	1300	1300
Height H3	1950	1950	1950
Height H4	1985	1985	1985
Width X	705	705	705
Depth Y	800	800	800



For more information on our **iCUTwater range** waterjet systems, contact our waterjet system specialist directly:

Marco Grohmann

Sales - waterjet systems and laser systems

Telephone: +49 (0) 6672 / 898 485
marco.grohmann@imes-icore.de

