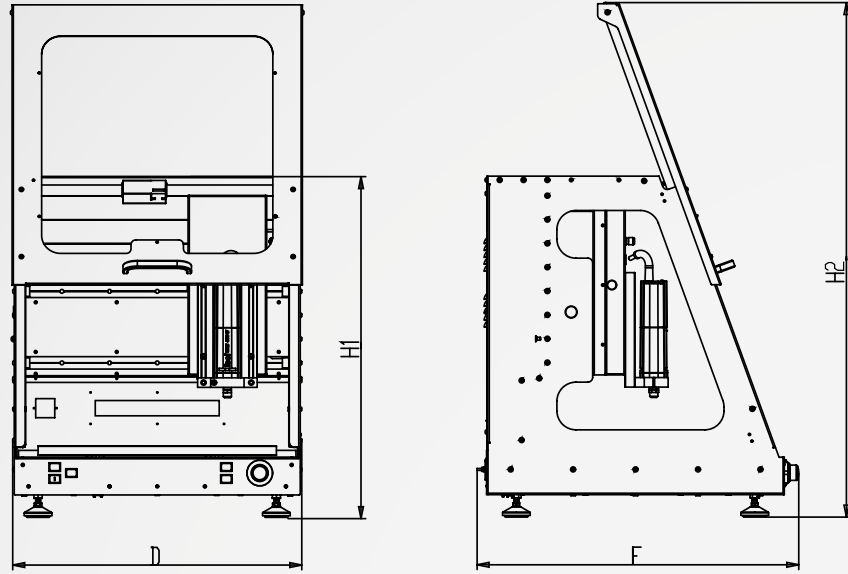


# Economy range with detailed dimensions

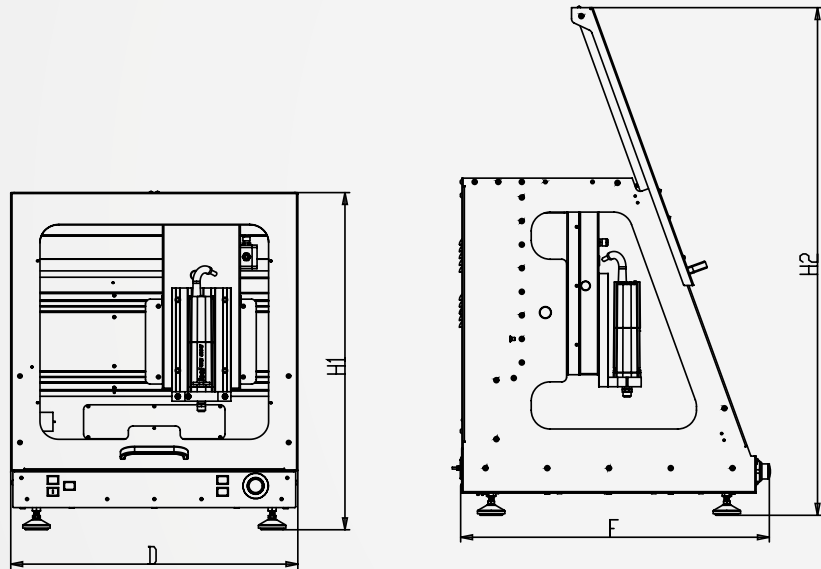
## ICP 4030

Dimensions in mm	ICP 4030
Width D	780
Depth F	850
Height H1	810
Height H2	1179



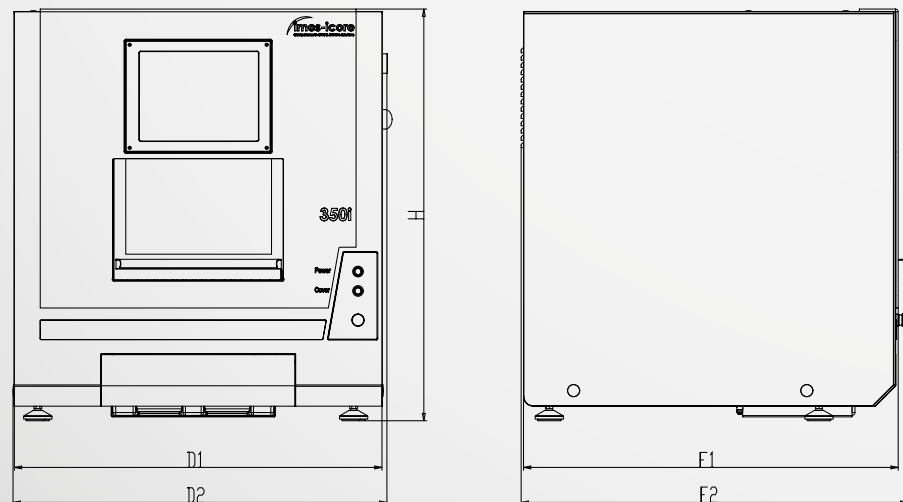
## ICV 4030

Dimensions in mm	ICV 4030
Width D	780
Depth F	850
Height H1	810
Height H2	1077

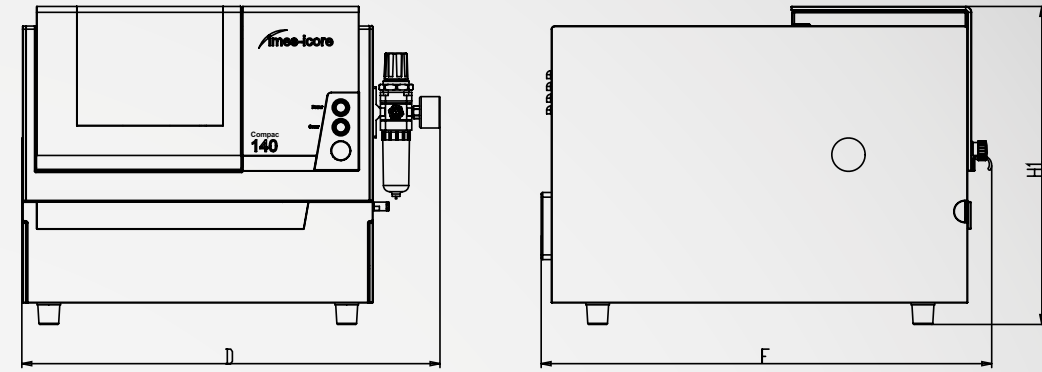


## Compac 350

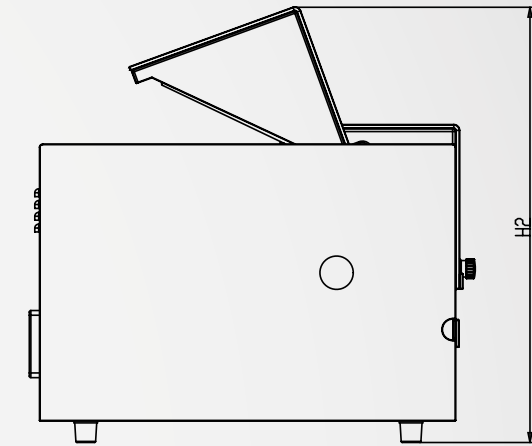
Dimensions in mm	Compac 350
Width D1	760
Width D2	770
Height H	860
Depth F1	772
Depth F2	790



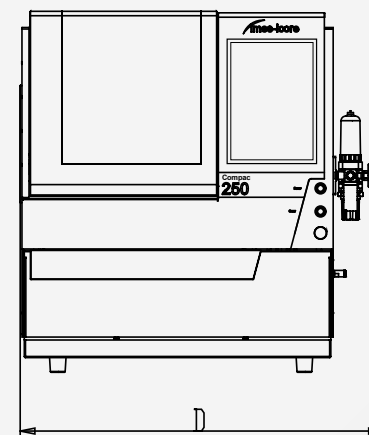
## Compac 140



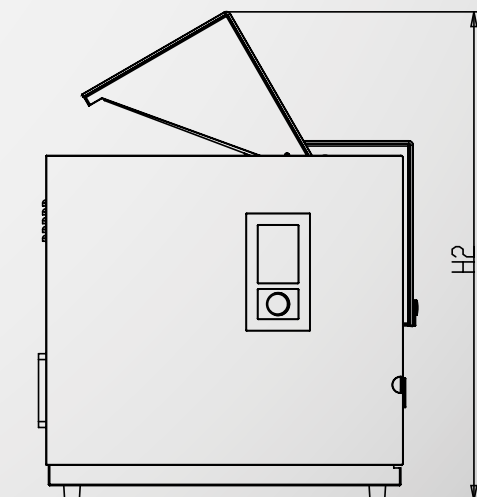
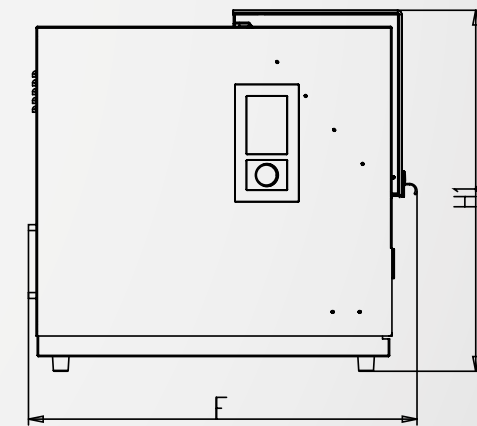
Dimensions in mm	Compac 140
Width D	535
Depth F	575
Height H1	405
Height H2	560



## Compac 250



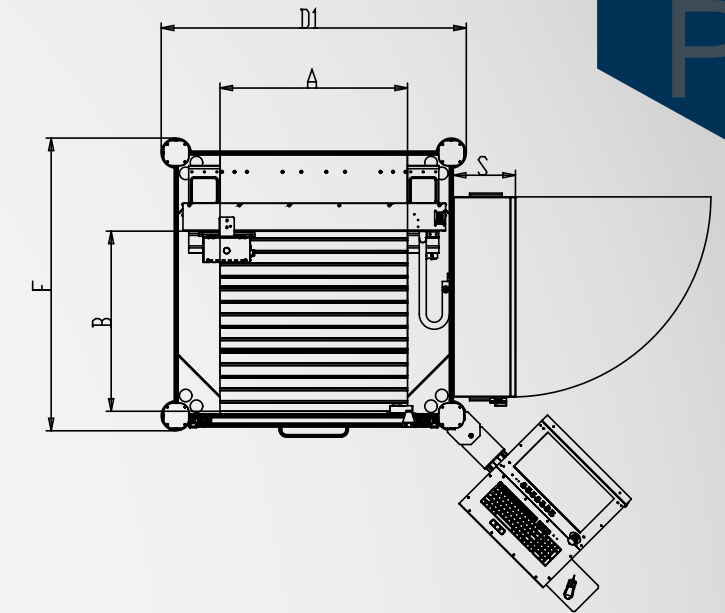
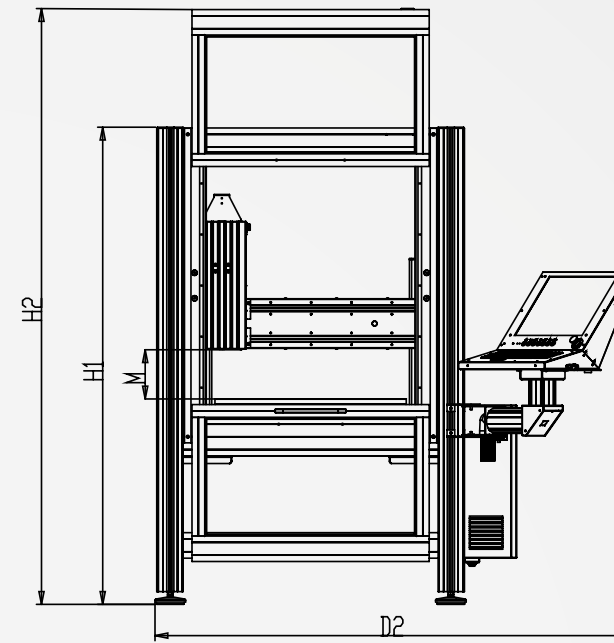
Dimensions in mm	Compac 250
Width D	537
Depth F	625
Height H1	612
Height H2	835



# Economy range with detailed dimensions

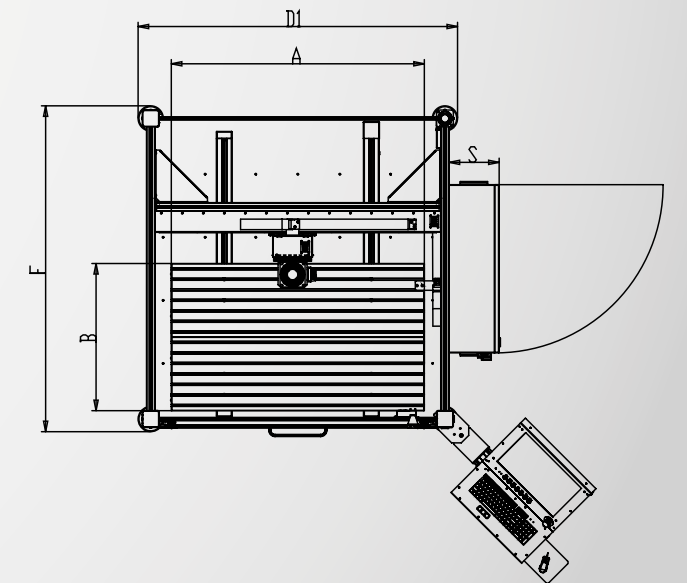
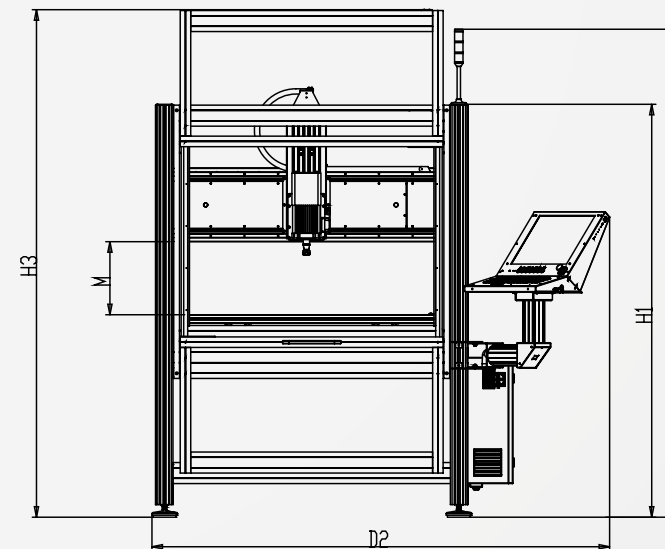
## FlatCom

Dimensions in mm	FlatCom M20	FlatCom M30	FlatCom M40	FlatCom M50
Width A	750	750	1250	1250
Depth B	750	1000	1000	1500
Width D1	1200	1200	1700	1700
Width D2	1868	1868	2368	2368
Depth F	1150	1450	1450	1950
Height H1	1870	1870	1870	1870
Height H2	2335	2335	2335	2335
Height M	193	193	193	193
Width S	249	249	249	249



## EuroMod

Dimensions in mm	EuroMod MP30	EuroMod MP45	EuroMod MP65
Width A	350	500	700
Depth B	900	900	1200
Width D1	1160	1160	1480
Width D2	1834	1834	2154
Depth F	800	1110	1510
Height H1	1964	1964	1964
Height H2	2321	2321	2321
Height H3	2414	2414	2414
Height M	348	348	348
Width S	238	238	238



Many **imes-icore** machines can be individually aligned.  
Simply ask our sales team! We will be happy to advise you!  
Tel.: +49 (0) 6672 - 898 228

